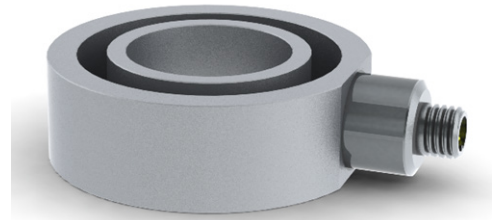


# HERMETIC LOAD WASHER

Hermetic Load Washer is a stainless steel strain gauge based load washer with compensated temperature performance.

This type is fully laser welded and provides measurements up to 20,000 lbf with better than  $\pm 0.5\%$  (full scale) non-linearity.



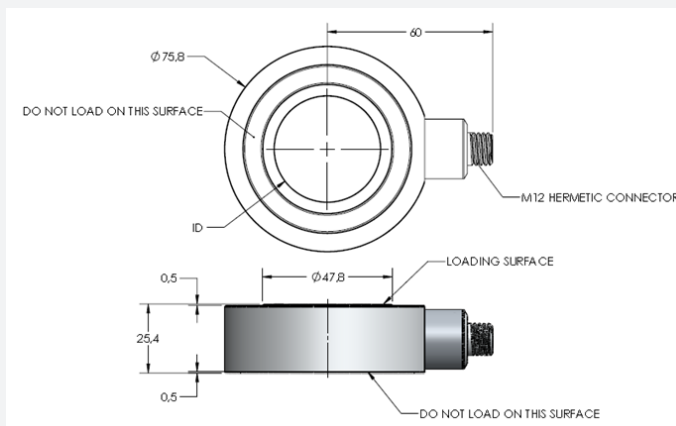
## WIRING



NOTE: Voltage, current loop or digital output versions are also available on request.

PIN	FUNCTION
1	Excitation +
2	Excitation -
3	Signal +
4	Signal -
5	No connection
6	No connection
7	No connection
8	No connection

## DIMENSIONS



MODEL	ID	SCREW SIZE
ALW4-1	3.45mm [ .136" ]	1/8"
	5.11mm [ .201" ]	3/16"
	6.76mm [ .266" ]	1/4"
	8.43mm [ .332" ]	5/16"
	10.08mm [ .397" ]	3/8"
	11.91mm [ .469" ]	7/16"
	13.49mm [ .531" ]	1/2"
	15.09mm [ .594" ]	9/16"
	16.66mm [ .656" ]	5/8"
	19.84mm [ .781" ]	3/4"
	23.01mm [ .906" ]	7/8"
	26.19mm [ 1.031" ]	1"
	32.54mm [ 1.281" ]	1 1/4"
	38.89mm [ 1.531" ]	1 1/2"

To find out more visit [hitecsensors.com](http://hitecsensors.com)

HDS\_HLW\_090120/01

# HERMETIC LOAD WASHER

## SPECIFICATION

PARAMETER	RANGE
Capacity (lbf)	1k, 2k, 5k, 7.5k, 10k, 20k
Rated Output (RO)	2mV/V nom.
Safe Overload	150 % of RO
Zero Balance	±5% of RO
Excitation (VDC or VAC)	5v (recommended), 10v max.
Bridge Resistance	700 $\Omega$ nom.
Non-Linearity	±0.5% of RO
Hysteresis	±0.5% of RO
Non-Repeatability	±0.1% of RO
Temp. Shift Zero	±0.01 of RO/°C
Temp. Shift Span	±0.01 of load/°C
Compensated Temp.	-15 to 71 °C
Operating Temp.	-20 to 80 °C
Material	Stainless Steel
IP Rating	IP68
Calibration Test Excitation	5V, 10V
Calibration (std)	5 pt. compression
Weight (nom.)	750g
Deflection (nom.)	0.05mm [ .002"]
Connector	8-pin M12 male

To find out more visit [hitecsensors.com](https://hitecsensors.com)

Copyright © HITEC Sensors 2020. This flyer is indicative only. Contact HITEC directly for details.

# HERMETIC LOAD WASHER

## ORDER DETAILS

To order a specific load washer required, compile and quote a unique part number from the example below.

LW4	-	1	-	Screw Size (inch)	-	Capacity (lb)
				X/X		XXXXX
				1/8		1,000
				3/16		2,000
				1/4		5,000
				5/16		7,500
				3/8		10,000
				7/16		20,000
				1/2		
				9/16		
				5/8		
				3/4		
				7/8		
				1		
				1 ¼		
				1 ½		

Example: **ALW4-1-3/4-10,000**

HITEC Sensor Developments, Inc. | 10 Elizabeth Drive  
Chelmsford, MA 01824 | United States of America  
T +1 978 742 9032 | F +1 978 742 9033

[hitecsensors.com](http://hitecsensors.com)