

IN LINE LOAD CELL (AILC3, AILC4 & AILC5)

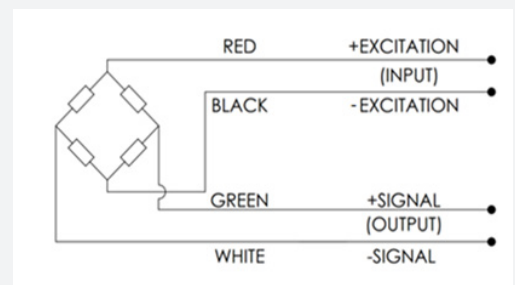
Miniature threaded In Line Load Cells are strain gauge based transducers with temperature compensation and excellent overall performance.

This type measures tensile and compressive loads up to 50kN and 10klbf with better than $\pm 0.5\%$ non-linearity.

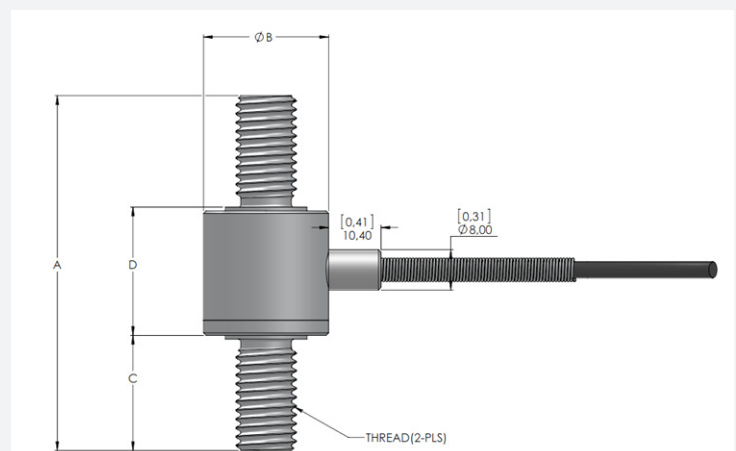


WIRING

- The load button is provided with 4x28 AWG wiring within a braided shielded cable (overall cable length 3m).
- Connector with integrated TEDS chip is available to order.



DIMENSIONS



To find out more visit hitecsensors.com

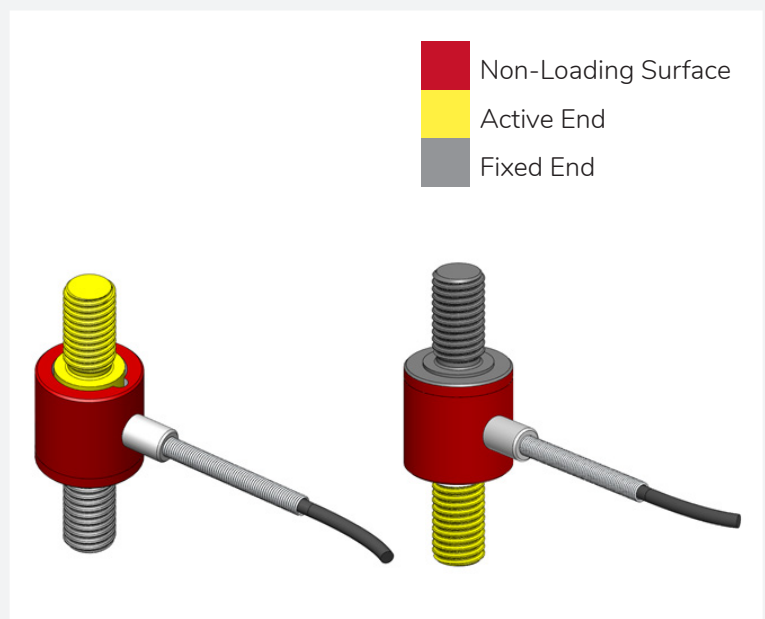
 **HITECSENSORS**
A HUMANETICS COMPANY

IN LINE LOAD CELL (AIRC3, AIRC4 & AIRC5)

DIMENSIONS CONTINUED

MODEL	CAPACITY	A	B	C	D	THREAD
106-10	10kN	38.10mm[1.50"]	24.80mm[.98"]	10.65m[.42"]	17.55mm[.69"]	M10x1.5-6g
	3klbf	38.10mm[1.50"]	24.80mm[.98"]	10.65m[.42"]	17.55mm[.69"]	3/8"-24 UNF 2B
107-10	20kN	70.40mm[2.77"]	24.80mm[.98"]	22.85mm[.90"]	25.45mm[1.00"]	M12x1.75-6g
	5klbf	70.40mm[2.77"]	24.80mm[.98"]	22.85mm[.90"]	25.45mm[1.00"]	1/2"-20 UNF 2B
108-10	50kN	70.40mm[2.77"]	28.30mm[1.11"]	22.10mm[.87"]	26.20mm[1.03"]	M16X2.0-6g
	10klbf	70.40mm[2.77"]	28.30mm[1.11"]	22.10mm[.87"]	26.20mm[1.03"]	3/4"-16 UNF 2B

MODEL	CAPACITY	DEFLECTION NOM.
106-10	10kN	0.04mm[.0015"]
	3klbf	0.04mm[.0015"]
107-10	20kN	0.04mm[.0015"]
	5klbf	0.04mm[.0015"]
108-10	50kN	0.08mm[.003"]
	10klbf	0.08mm[.003"]



To find out more visit hitecsensors.com

Copyright © HITEC Sensors 2020. This flyer is indicative only. Contact HITEC directly for details.

IN LINE LOAD CELL (AIRC3, AIRC4 & AIRC5)

SPECIFICATION

PARAMETER	RANGE	NOTES
Capacity	10kN, 20kN & 50kN	With metric threads as standard
	3klbf, 5klbf & 10klbf	With unified threads as standard
Rated Output (RO)	2mV/V nom.	
Allowable Maximum Load	150% full scale	No effect on performance
Non-Linearity	± 0.5% of RO max.	
Hysteresis	± 0.5% of RO max.	
Repeatability	± 0.1% of RO max.	
Zero Balance	5% of RO max.	
Zero Temp. Coefficient	0.02% FS/°C	
Span Temp. Coefficient	0.02% of load/°C	
Compensated Temp. Range	-15°C to 70°C	Wider range available to order
Operating Temp Range.	-20°C to 80°C	Wider range available to order
IP Rating	IP64	
Bridge Resistance	350 ohm nom.	
Excitation	5V, 10V	

HITEC Sensor Developments, Inc. | 10 Elizabeth Drive
Chelmsford, MA 01824 | United States of America
T +1 978 742 9032 | F +1 978 742 9033

hitecsensors.com