

LOAD PIN

The Load Pin is a stainless steel shear pin type load cell with improved temperature performances.

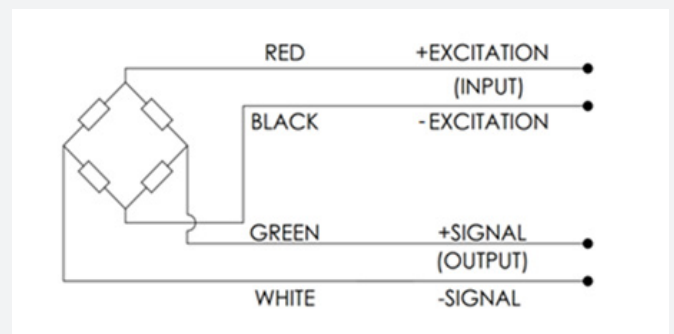
The Load Pin is designed to be used in hostile environments. Standard pins are offered with cable and connector versions. Many options and customized sizes are available upon request.



WIRING

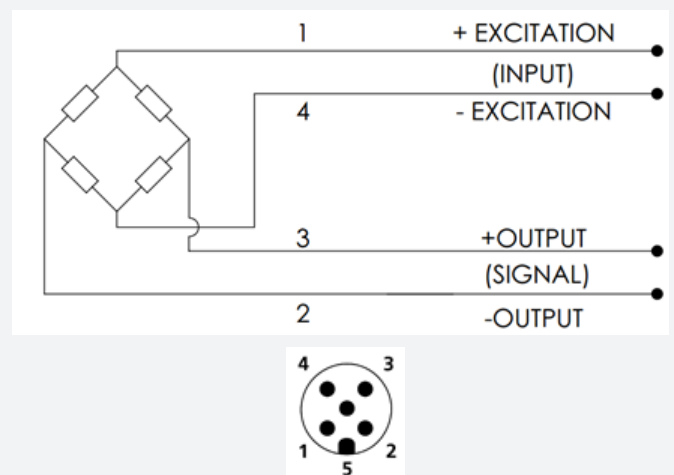
Cable Version

- Cable version shear pin is provided with 22 AWG cables.



Connector Version

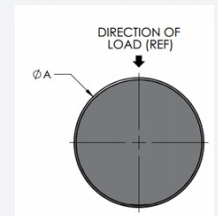
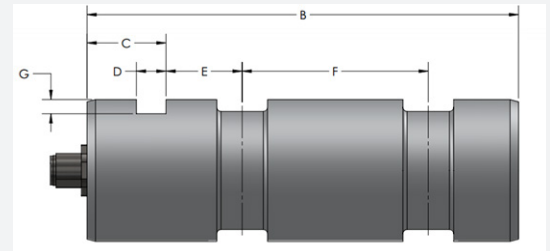
- Connector version shear pins are provided with a LUMBERG M12 male connector, RSFM 5/0.5 M.



LOAD PINS

DIMENSIONS

MODEL	CAPACITY	A	B	C	D	E	F	G
ALP-1	5kN	25h6	80	16	5.2	13.5	31	3.5
ALP-2	10kN	25h6	80	16	5.2	13.5	31	3.5
ALP-3	20kN	25h6	80	16	5.2	13.5	31	3.5
ALP-4	50kN	35h6	108	23	6.3	18	47	6
ALP-5	100kN	50h6	153	28	10.5	27	66	5
ALP-6	200kN	65h6	188	28	10.5	32.5	90	10



ORDER DETAILS

To order a specific load pin required, compile and quote a unique part number from the example below.

Model	Connector/ Cable	Cable length (m)
ALPX	- X	- X
ALP1	A - Connector	N - N/A
ALP2	B - Cable	3
ALP3		6
ALP4		12
ALP5		20
ALP6		

Example: **ALP2-A-N**

LOAD PINS

SPECIFICATION

PARAMETER	RANGE	NOTES
Nominal Load	5kN, 10kN, 20kN, 50kN, 100kN, 200kN	
Overload	150% FS	No influence on measurement
Overload Limit	500% FS	
Sensitivity	1 mV/V \pm 3%	
Non-Linearity	\pm 0.5% FS nominal	MAX 1% FS
Repeatability	\pm 0.1% FS nominal	MAX 0.2% FS
Total Error	Max. 1% FS	Non-linearity and hysteresis
Zero Balance	\pm 1% FS max.	
Zero Temp. Coefficient	\pm 0.02% FS/ $^{\circ}$ C	
Span Temp. Coefficient	\pm 0.02% of load/ $^{\circ}$ C	
Operating Temp. Range	-20 $^{\circ}$ C to 70 $^{\circ}$ C	Ideal operating temp range
Storage Temp. Range	-20 $^{\circ}$ C to 70 $^{\circ}$ C	
Cable Length	3m (for cable version)	Optional 6m, 12m and 20m
Connector	LUMBERG M12 male connector, RSFM 5/0.5 M (for connector version)	
Protection Class	IP67	
Mechanical Fit	G7/h6	
Excitation	5V, 10V	

HITEC Sensor Developments, Inc. | 10 Elizabeth Drive
Chelmsford, MA 01824 | United States of America
T +1 978 742 9032 | F +1 978 742 9033

hitecsensors.com