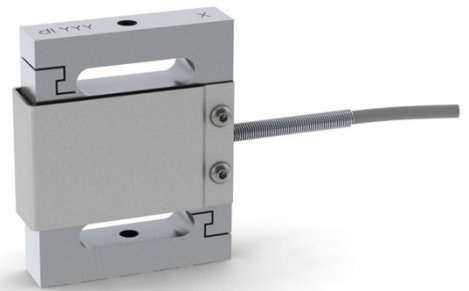


MINIATURE S-BEAM OVERLOAD PROTECTION LOAD CELL

The Miniature S-Beam Load Cell is a bi-directional Aluminium strain gauge based transducer with high performance and built-in temperature compensation.

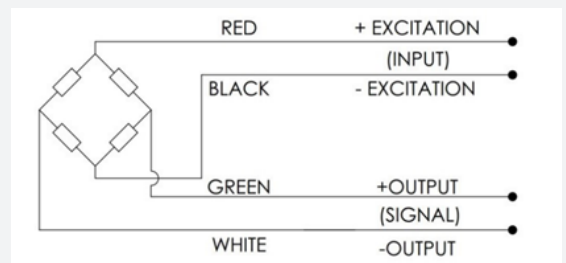
This design provides better than $\pm 0.05\%$ (full scale) non-linearity and includes overload protection in both tension and compression directions.



WIRING

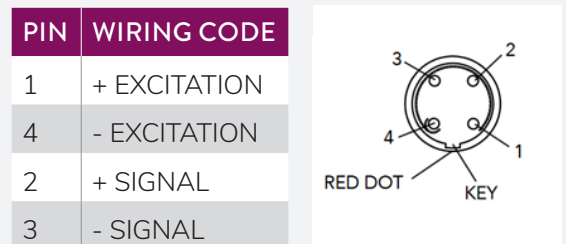
- Cable Version**

The S-beam load cell is provided with 4x28 AWG wiring within a braided shielded cable (overall cable length 2m)

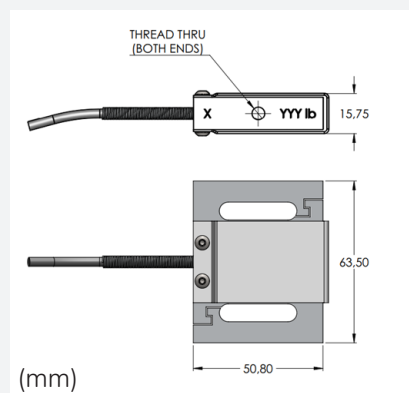


- Lemo Version**

Connector pin configuration as shown below (for the with-connector version)



DIMENSIONS



MODEL	CAPACITY	THREAD
MSBLC-2M-P	25	M6 x 1
MSBLC-2U-P	25	1/4 - 28
MSBLC-2M-P	50	M6 x 1
MSBLC-2U-P	50	1/4 - 28
MSBLC-2M-P	100	M6 x 1
MSBLC-2U-P	100	1/4 - 28
MSBLC-2M-P	250	M10 x 1.5
MSBLC-2U-P	250	1/4 - 28

To find out more visit hitecsensors.com

HDS_MSBLC-OLP_090120/01

SPECIFICATION

PARAMETER	RANGE
Rated Capacity	25, 50, 100 & 250 lbf
Rated Output (RO)	2mV/V nom.
Overload	1000% of RO
No Load Offset	±1% of RO
Excitation (VDC or VAC)	5V, 10V
Input Impedance	1000 Ω nom.
Output Impedance	1000 Ω nom.
Non-Linearity	±0.05% of RO
Hysteresis	±0.05% of RO
Non-Repeatability	±0.05% of RO
Temp. Shift Zero	±0.005% of RO/°F (± 0.009 of RO/°C)
Temp. Shift Span	±0.01% of load/°F (± 0.018 of load/°C)
Compensated Temp.	5 to 160°F (-15 to 71°C)
Operating Temp.	-60 to 200°F (-51 to 93°C) – Lemo Version 5 to 176°F (-15 to 80°C) – Cable Version
Weight (approx.)	0.3lb [140g]
Material	Aluminum
Deflection	.004" to .010" [0.1mm to 0.25mm] nom.
IP Rating	IP40
Calibration Test Excitation	5V (recommended), 10V max.
Calibration (std.)	5 pt. tension

HITEC Sensor Developments, Inc. | 10 Elizabeth Drive
Chelmsford, MA 01824 | United States of America
T +1 978 742 9032 | F +1 978 742 9033

hitecsensors.com