

PRESS FORCE LOAD CELL

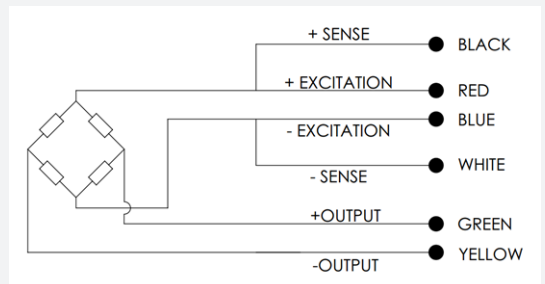
Press Force Load Cells are strain gauge based transducers for press-force monitoring.

This type offers capacities up to 100 kN and 20 klpf with compensated temperature performances. Cable is contained within a stainless steel spring for strain relief purposes for additional protection.



WIRING

- Sensor is provided with 3m, 28 AWG wire (Other lengths are available on request). Voltage, current loop or digital output versions are also available on request.



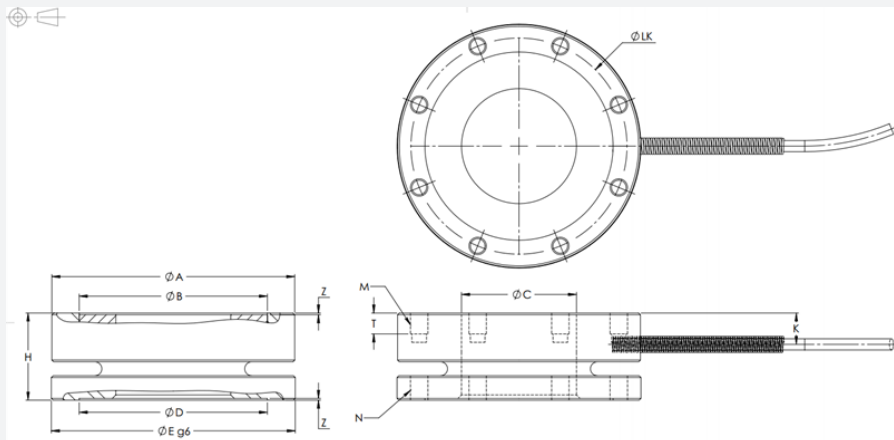
CAPACITY	DEFLECTION (NOM.) (MM) [IN]
2kN	0.02 [.001]
5kN	0.03 [.001]
10kN	0.03 [.001]
20kN	0.05 [.002]
50kN	0.10 [.004]
100kN	0.15 [.006]

To find out more visit hitecsensors.com

HDS_PFLC_090120/01

PRESS FORCE LOAD CELL

DIMENSIONS



Metric version (mm)

NOMINAL FORCE (KN)	A	B	C	D	E	H	K	Z	M	T	LK	N
2 / 5 / 10 / 20	69.7	54	33	54	70	25	9	0.5	M5-0.8, 8x45°	6	62	M5-0.8, 8x45°
50 / 100	111.5	97	70	97	112	35	13	1.1	M6-1, 8x45°	10	104	M6-1, 8x45°

Pound version (inch)

NOMINAL FORCE (KLBF)	A	B	C	D	E	H	K	Z	M	T	LK	N
0.5 / 1 / 2 / 5	2.74	2.13	1.30	2.13	2.756	0.98	0.35	0.02	#10-24, 8x45°	0.24	2.44	#10-24, 8x45°
10 / 20	4.39	3.82	2.76	3.82	4.409	1.38	0.51	0.04	#12-24, 8x45°	0.39	4.09	#12-24, 8x45°

To find out more visit hitecsensors.com

 **HITECSENSORS**
A HUMANETICS COMPANY

Copyright © HITEC Sensors 2020. This flyer is indicative only. Contact HITEC directly for details.

PRESS FORCE LOAD CELL

SPECIFICATION

PARAMETER	RANGE	NOTES
Capacity (kN) Capacity (klbf)	2,5,10, 20, 50 and 100 0.5, 1, 2, 5, 10 and 20	
Safe Overload	200% FS	No influence on measurement
Ultimate Load	>300% FS	
Sensitivity (mV/V)	1 +/- 20%	Voltage, current loop or digital output
Non-Linearity	+/- 0.25% FS	+/- 0.5% FS max.
Hysteresis	+/- 0.25% FS	+/- 0.5% FS max.
Repeatability	+/- 0.1% FS max.	
No Load Offset	+/- 2% RO	
Zero Temp. Coefficient	0.02% RO/°C	
Sensitivity Temp. Coefficient	0.02% RO/°C	
Compensated Temp. Range	-15°C to 70°C	
Operating Temp. Range	-40°C to 70°C	
Bridge Resistance (Ohm)	700	
Excitation	5V, 10V	
IP Rating	60	
Material	Stainless steel	

HITEC Sensor Developments, Inc. | 10 Elizabeth Drive
Chelmsford, MA 01824 | United States of America
T +1 978 742 9032 | F +1 978 742 9033

hitecsensors.com