

THREADED LOAD BUTTON

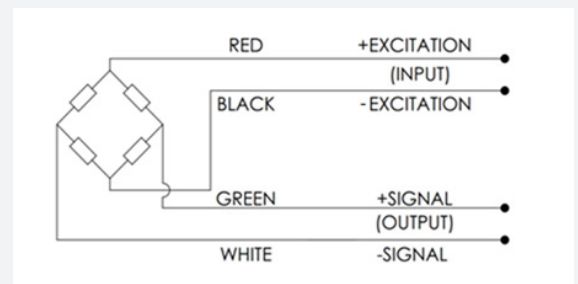
The model is a threaded load button for compression load measurements up to 5000kg/10000lb.

Fully welded cover (for SS load buttons), amplified and digitised versions are available on request. We can also customise this sensor for other thread sizes and cable sizes.

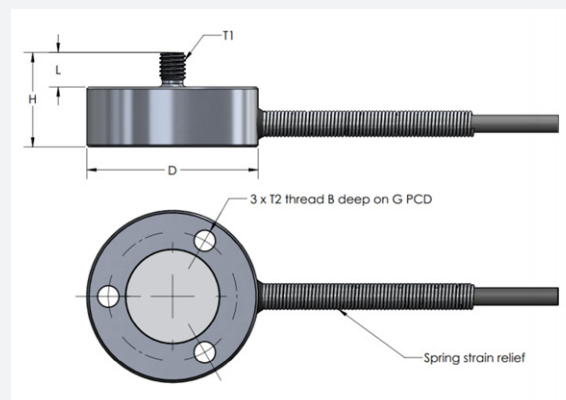


WIRING

- The sensor is provided a #32 AWG 4-conductor braided shielded cable for 1kg-1000kg & 2lb – 2000lb, 1m cable length.
- The sensor is provided with #28 AWG 4-conductor braided shielded cable for 2000kg, 5000kg, 5000lb & 10000lb, 2m cable length.
- Connector with integrated TEDS chip is available to order.



DIMENSIONS



To find out more visit hitecsensors.com

 **HITECSENSORS**
A HUMANETICS COMPANY

THREADED LOAD BUTTON

DIMENSIONS CONTINUED

RANGE	CAPACITY	D (MM)	H (MM)	L (MM)	T1	T2	B (MM)	G (MM)
2010-10	1 kg	20	11	4	M3	M3	7	15
2020-10	2 kg	20	11	4	M3	M3	7	15
2030-10	5 kg	20	11	4	M3	M3	7	15
2040-10	10 kg	20	11	4	M3	M3	7	15
2050-10	20 kg	20	11	4	M3	M3	7	15
2060-10	50 kg	20	11	4	M3	M3	7	15
2070-10	100 kg	20	11	4	M3	M3	7	15
2080-10	200 kg	20	11	4	M3	M3	7	15
2090-10	500 kg	25.4	15	5	M5	M4	7	18
2100-10	1000 kg	25.4	15	5	M5	M4	7	18
2110-10	2000 kg	40	25	8	M12	M4	12	32
2120-10	5000 kg	40	25	8	M12	M4	12	32

RANGE	CAPACITY	D (INCH)	H (INCH)	L (INCH)	T1	T2	B (INCH)	G (INCH)
2010-10	2 lb	.787	.433	.157	8-32	4-40	.276	.591
2020-10	5 lb	.787	.433	.157	8-32	4-40	.276	.591
2030-10	10 lb	.787	.433	.157	8-32	4-40	.276	.591
2040-10	20 lb	.787	.433	.157	8-32	4-40	.276	.591
2050-10	50 lb	.787	.433	.157	8-32	4-40	.276	.591
2060-10	100 lb	.787	.433	.157	8-32	4-40	.276	.591
2070-10	200 lb	.787	.433	.157	8-32	4-40	.276	.591
2080-10	500 lb	.787	.433	.157	8-32	4-40	.276	.591
2090-10	1000 lb	1	.591	.197	1/4-20	8-32	.276	.709
2100-10	2000 lb	1	.591	.197	1/4-20	8-32	.276	.709
2110-10	5000 lb	1.575	.984	.315	1/2-20	8-32	.472	1.26
2120-10	10000 lb	1.575	.984	.315	1/2-20	8-32	.472	1.26

To find out more visit hitecsensors.com



Copyright © HITEC Sensors 2020. This flyer is indicative only. Contact HITEC directly for details.

THREADED LOAD BUTTON

SPECIFICATIONS

PARAMETER	RANGE	NOTES
Capacity (kg)	1, 2, 5, 10, 20, 50, 100, 200, 500, 1000, 2000, 5000	
Capacity (lb)	2, 5, 10, 20, 50, 100, 200, 500, 1000, 2000, 5000, 10000	
Output (mV/V)	1 ± 20% for 1kg - 20kg and 2lb - 50lb 1.5 ± 20% for 50kg - 5000kg and 100lb - 10000lb	Amplified and digitised versions available to order
Input Impedance	350 Ω nom. (700 Ω nom. For 2000kg, 5000kg, 5000lb & 10000lb)	
Output Impedance	350 Ω nom. (700 Ω nom. For 2000kg, 5000kg, 5000lb & 10000lb)	
Allowable Maximum Load	150% full scale	No effect on performances
Non-Linearity	± 0.5% FS max.	
Hysteresis	± 0.3% FS max.	
Repeatability	± 0.1% FS max.	
Total Error	± 0.8% FS max.	Non-linearity and hysteresis.
Zero Balance	2% FS max.	(10% FS MAX for welded versions)
Zero Temp. Coefficient	0.01% FS/°C	
Span Temp. Coefficient	0.02% of load/°C	
Compensated Temp. Range	-15°C to 70°C	Wider range available to order
Operating Temp. Range	-20°C to 80°C	Wider range available to order
Material	Al for 1kg - 20kg and 2lb - 50lb SS for 50kg - 5000kg and 100lb - 10000lb	
IP Rating	IP64	
Excitation	5V, 10V	

HITEC Sensor Developments, Inc. | 10 Elizabeth Drive
Chelmsford, MA 01824 | United States of America
T +1 978 742 9032 | F +1 978 742 9033

hitecsensors.com